

Trunnion Mounted **BALL VALVES**

- Split Bolted Body
- Fully Welded
- Top Entry
- Modular



BALL VALVES

TRUNNION



Head Quarter



Ball Valves Division



High Pressure Gas Test Area



Acceptance Area



Cast Valves Division



Warehouse



Gate, Globe & Check Division



Shipping Area



LVF spa

Via Giuseppe Mazzini, 6
24060 SAN PAOLO D'ARGON (BG) - Italy
P.Iva 03076750169



Phone: +39 035 4255211
Fax: +39 035 959210
info@lvf.it - www.lvf.it

BALL SPLIT Bolted Body

Construction: two/three piece

Connection: SW, NPT, BW, HUB and flanged

Sealing: Soft seated, metal seated

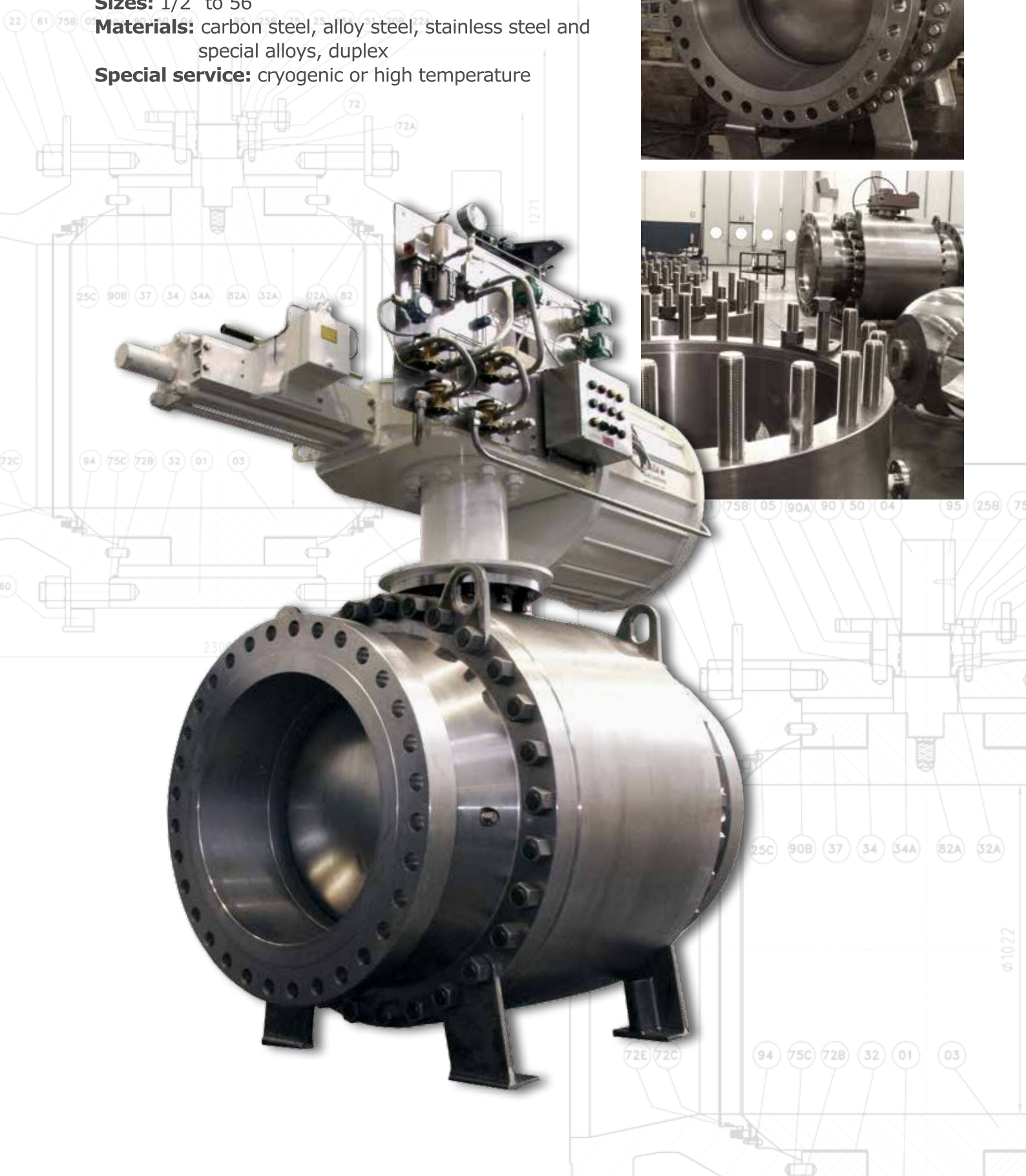
Design: API6D, Double Block & Bleed, ASME B16.34, ASME VIII

Classes: ANSI 150 lbs to 4500 lbs, API 3000 psi to 15000 psi

Sizes: 1/2" to 56"

Materials: carbon steel, alloy steel, stainless steel and special alloys, duplex

Special service: cryogenic or high temperature



BALL FULLY Welded

Construction: Two/three piece

Connection: BW, HUB and flanged

Sealing: Soft seated, metal seated

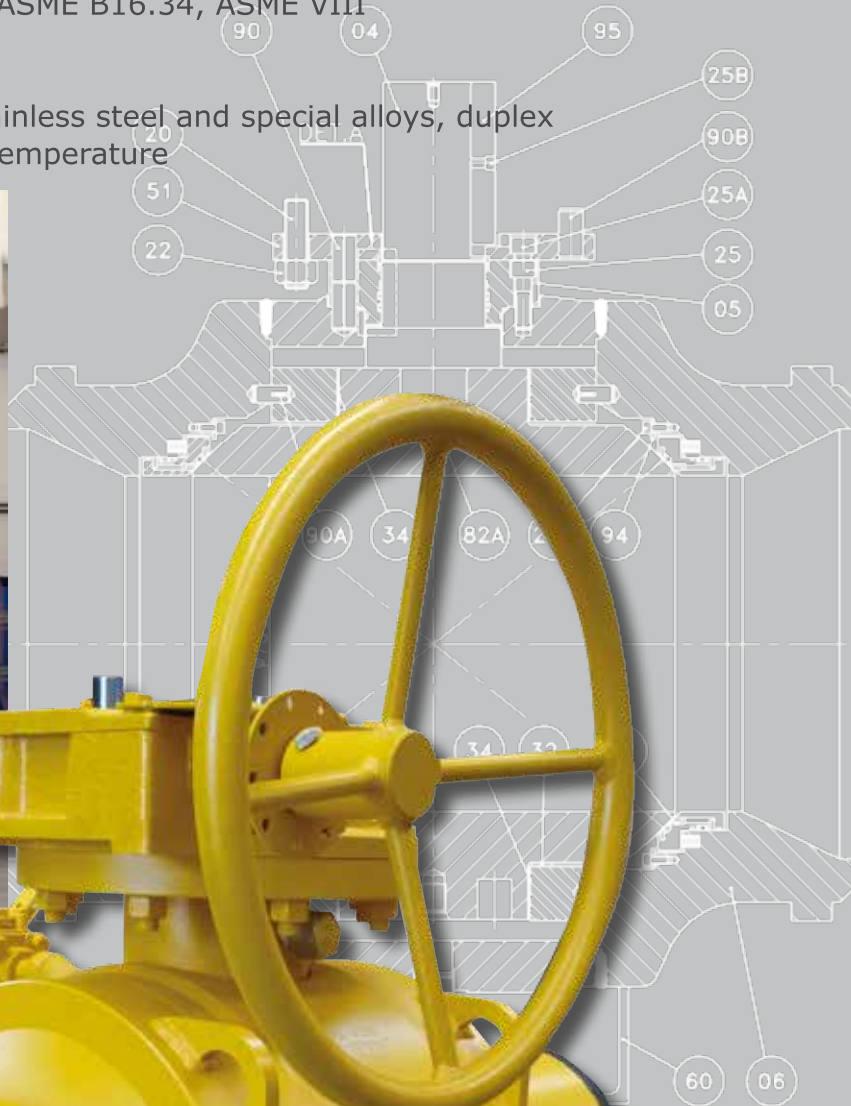
Design: API6D, Double Block & Bleed, ASME B16.34, ASME VIII

Classes: ANSI 150 lbs to 2500 lbs

Sizes: 1" to 56"

Materials: carbon steel, alloy steel, stainless steel and special alloys, duplex

Special service: underground & high temperature



Construction: on-line maintainable

Connection: BW, HUB and flanged

Sealing: Soft seated, metal seated

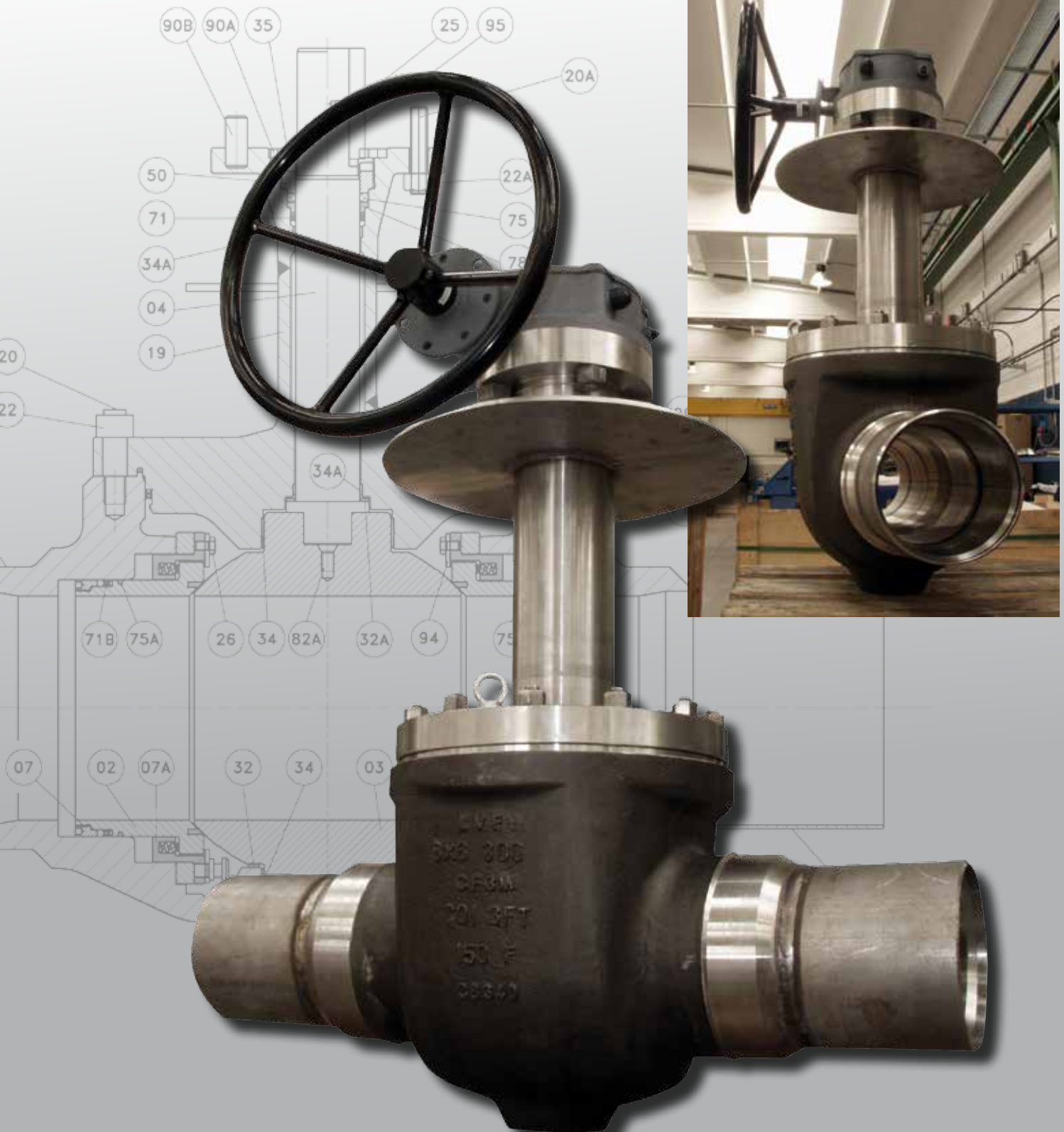
Design: API6D, Double Block & Bleed, ASME B16.34, ASME VIII

Classes: ANSI 150 lbs to 2500 lbs, API 3000 to 15000

Sizes: 1" to 36"

Materials: carbon steel, alloy steel, stainless steel and special alloys, duplex

Special service: cryogenic or high temperature



Construction: Split Bolted Body, Top Entry, Ball-Needle-Ball, Ball-Needle-Ball-Check

Sealing: Soft seated, metal seated

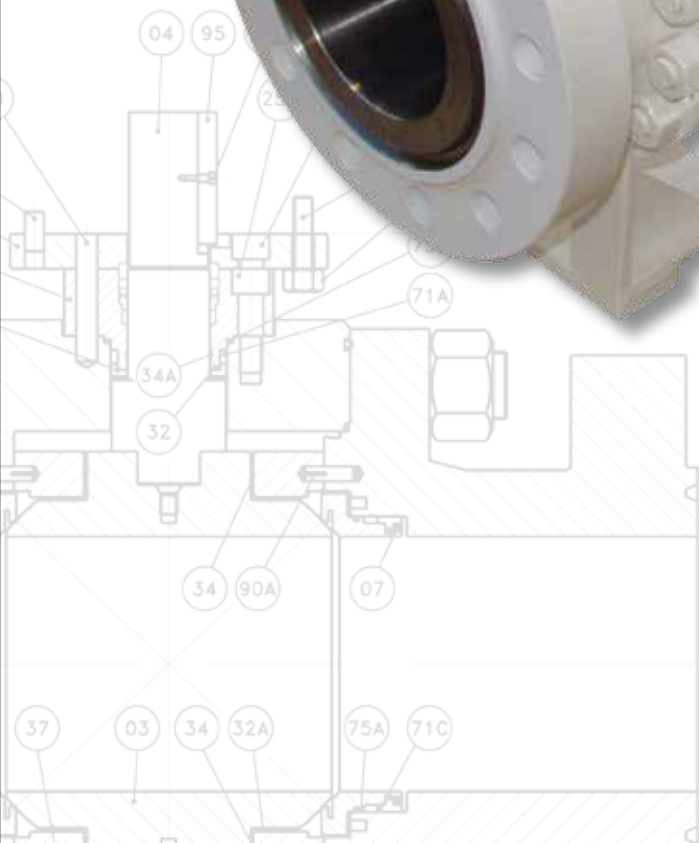
Design: API6D, Double Block & Bleed, ASME B16.34, ASME VIII

Classes: ANSI 150 lbs to 4500 lbs, API 3000 to 15000

Sizes: 1/2" to 24"

Materials: carbon steel, alloy steel, stainless steel and special alloys, duplex

Special service: cryogenic or high temperature



SPLIT BOLTED BODY



Construction: Two piece/three piece bolted design
Connection: SW, NPT, BW, HUB and flanged

FULLY WELDED



Construction: Two piece/three piece welded design
Connection: SW, NPT, BW, HUB and flanged

TOP ENTRY



Construction: Top entry
Connection: BW, HUB and flanged, SW, NPT

MODULAR



Construction: Split body, Side entry and Top entry
Connection: SW, NPT, BW, HUB and flanged

The Company has a Quality Management System according to the requirements of ISO 9001-2000 and is accredited to Pressure Equipment Directive 97/23/CE (PED).

LVF does manufacture and test all its products in the accordance with international standards & codes issued by API-BS-ASME etc. Valve test facilities are available in house and non-destructive testing is performed by certified level II inspector.



API 6A

GOST R

API 6D



ATEX



ACHILLES JQS



SIL-BALL



PED

ISO 9001